

**RECOMMENDED PC BOARD LAYOUT
WITHOUT MOUNTING POSTS**

MATERIAL & FINISH

1. BODY : ZINC ALLOY ,TIN /NICKEL PLATING
2. INSULATOR : TPX
3. CENTER CONTACT : PHOSPHOR COPPER GOLD PLATING



YEAR ROUND TECHNOLOGY CORPORATION

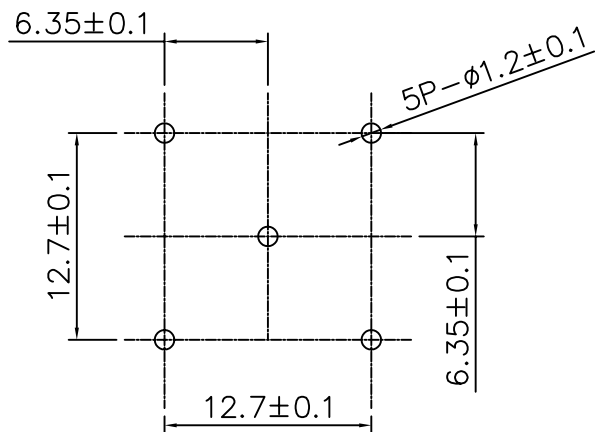
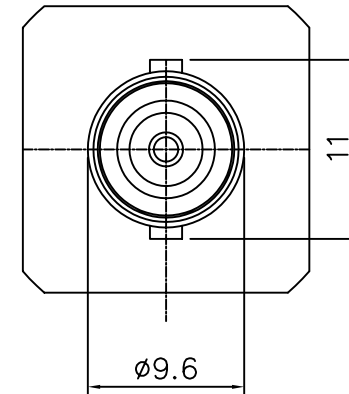
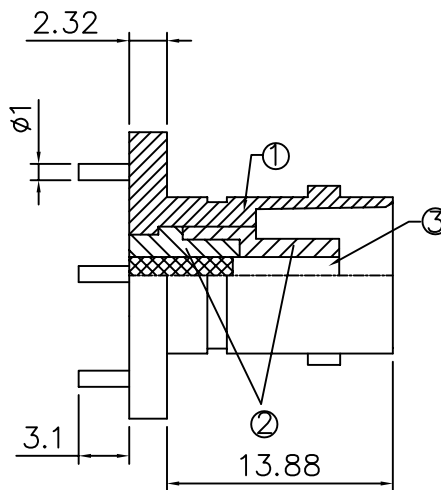
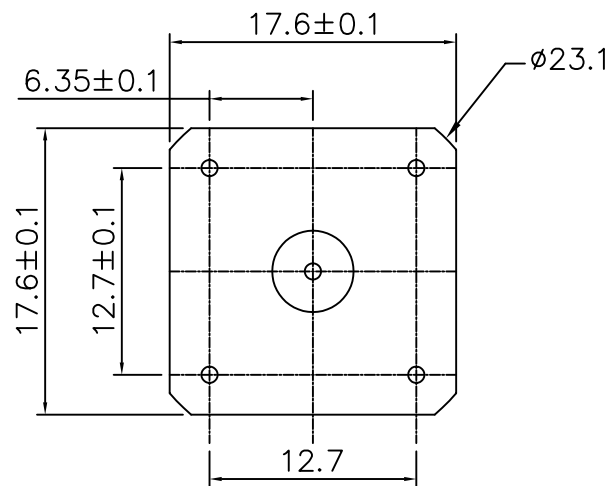
TEL: 886 2 22901234

www.yr.com.tw

Title	50 OHM BNC VERTICAL PCB MOUNT JACK			
P/N	5BV-44	Checked By	Drawn By	Approved By
D/N	5BV-44,R	 93,06,08 宏融	 93,06,08 龍鴻	 93,06,08 添發
SCALE	2:1			
		UNIT	MM	

Note:
Tolerances:
X. ±0.5
X.X ±0.3
X.XX±0.2

Revised dimensions and description







**RECOMMENDED PC BOARD LAYOUT
WITHOUT MOUNTING POSTS**

MATERIAL & FINISH

1. BODY : ZINC ALLOY ,TIN /NICKEL PLATING
2. INSULATOR : TPX
3. CENTER CONTACT : PHOSPHOR COPPER GOLD PLATING

Note:
Tolerances:
X. ±0.5
X.X ±0.3
X.XX±0.2

Revised dimensions and description

 YEAR ROUND TECHNOLOGY CORPORATION TEL: 886 2 22901234 www.yr.com.tw		Title			75 OHM BNC VERTICAL PCB MOUNT JACK			
		P/N	7BV-44	Checked By	Drawn By	Approved By		
D/N	7BV-44,R				SCALE	2:1	REV	2
UNIT					MM			