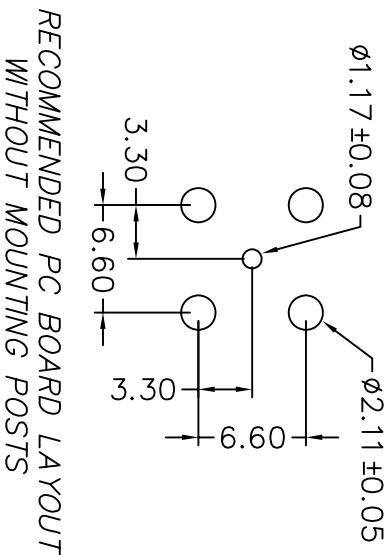
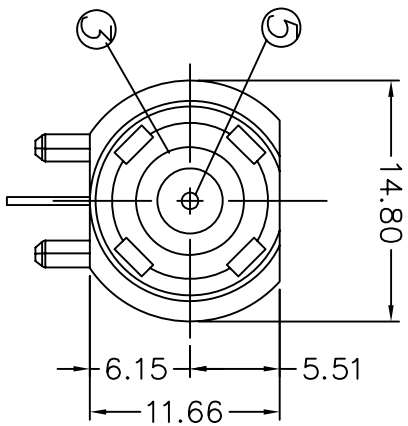
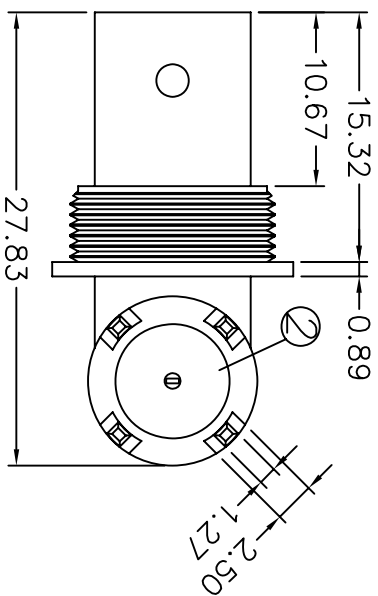
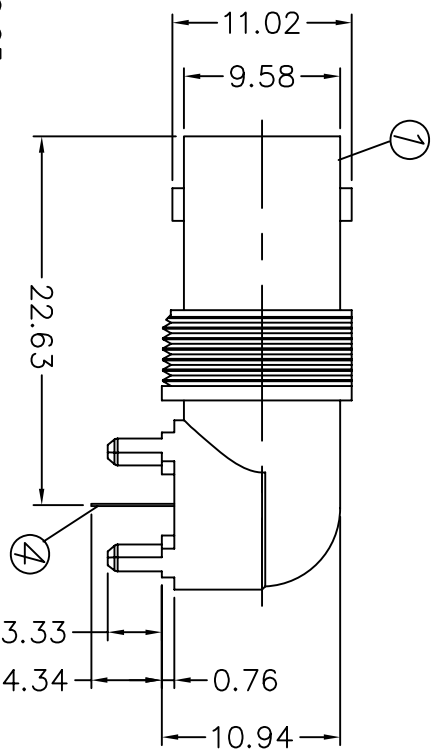


RECOMMENDED MOUNTING HOLE
 MAXIMUM PANEL THICKNESS: 5.5MM
 MATERIAL & FINISH

- ① BODY: ZINC ALLOY, NICKEL PLATED
- ② INSULATOR: TEFLON
- ③ INSULATOR: TPX
- ④ CENTER CONTACT: PHOSPHOR BRONZE/TIN PLATED
- ⑤ CENTER CONTACT: PHOSPHOR BRONZE/GOLD PLATED



RECOMMENDED PC BOARD LAYOUT
 WITHOUT MOUNTING POSTS



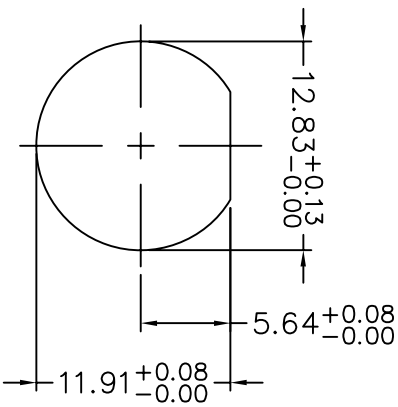
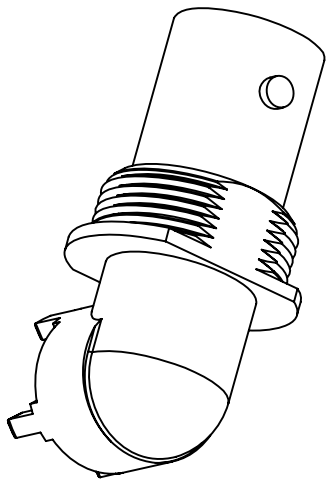
益睿科技股份有限公司
 YEAR ROUND TECHNOLOGY CORPORATION
 TEL: 886 2 22901234
 E-MAIL: yearound@yr.com.tw

品名 Title	JACK, RIGHT ANGLE 50 OHM, PCB BNC		
件號 P/N	5BR-L54N		
圖號 D/N	L54N,R		
設計 Checked By	柯 宏融	繪圖 Drawn By	林 俊雄
校對/審核 Approved By	白 添發		

Note:
 Tolerances:
 X. ±0.5
 X.X ±0.3
 X.XX±0.2

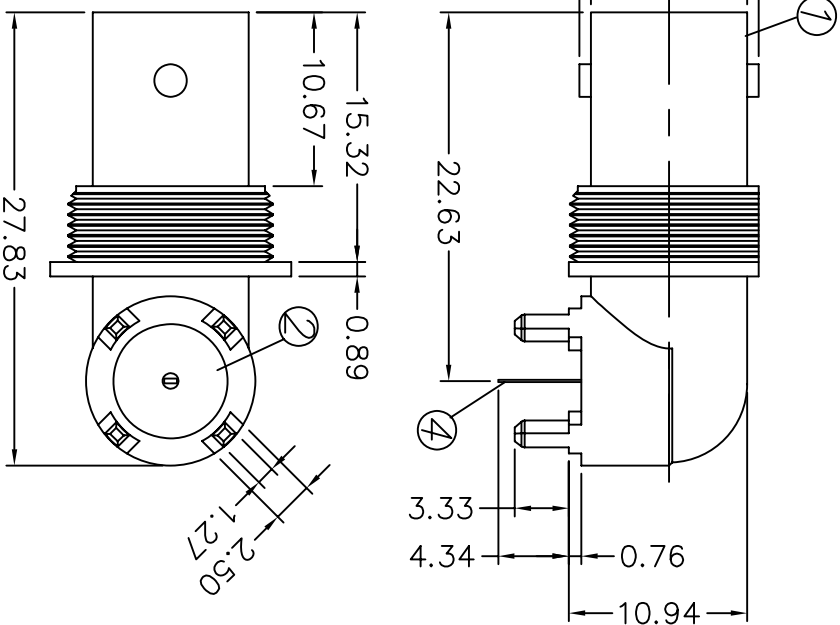
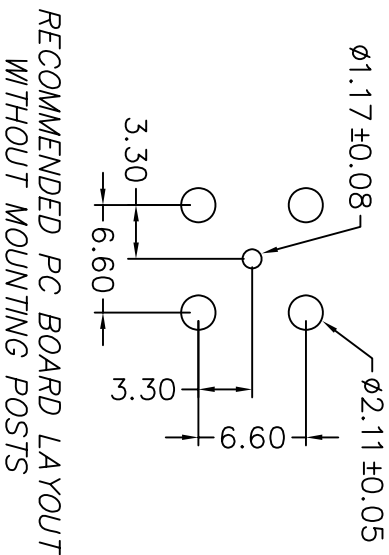
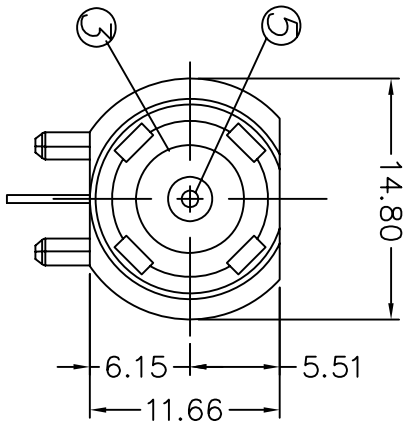
比例 SCALE	2:1	單位 UNIT	MM
版本 REV	2	編號 NO.	

尺寸修正及說明
 Revised dimensions and description



RECOMMENDED MOUNTING HOLE
 MAXIMUM PANEL THICKNESS: 5.5MM
 MATERIAL & FINISH

- ① BODY: ZINC ALLOY, NICKEL PLATED
- ② INSULATOR: TEFLON
- ③ INSULATOR: TPX
- ④ CENTER CONTACT: PHOSPHOR BRONZE/TIN PLATED
- ⑤ CENTER CONTACT: PHOSPHOR BRONZE/GOLD PLATED



益睿科技股份有限公司
 YEAR ROUND TECHNOLOGY CORPORATION
 TEL: 886 2 22901234
 E-MAIL: yearound@yr.com.tw

品名 Title	JACK, RIGHT ANGLE 75 OHM, PCB BNC		
件號 P/N	7BR-L54N	設計 Checked By	柯 宏融
圖號 D/N	L54N,R	繪圖 Drawn By	林 俊雄
比例 SCALE	2:1	校對/審核 Approved By	白 添發
版本 REV	2		

Note:
 Tolerances:
 X. ±0.5
 X.X ±0.3
 X.XX±0.2

編號 NO.	
單位 UNIT	MM

尺寸修正及說明
 Revised dimensions and description