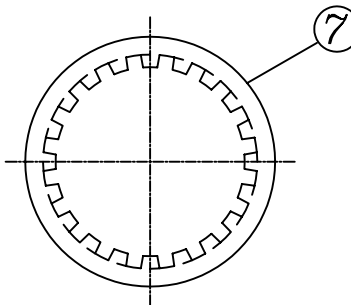
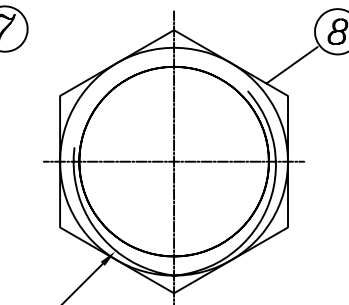


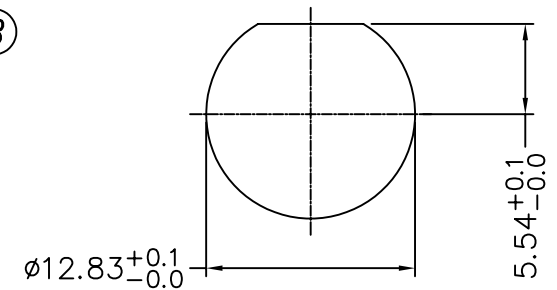
RECOMMENDED PC BOARD LAYOUT  
WITHOUT MOUNTING POSTS



LOCK WASHER



1/2-28UNEF-2B  
CLAMP NUT



RECOMMENDED MOUNTING HOLE  
MAXIMUM PANEL THICKNESS: 5.5MM

**MATERIAL & FINISH**

- ① CENTER CONTACT : BRONZE, GOLD PLATING 30u"
- ② BODY : ZINC ALLOY NICKEL PLATING
- ③ HOUSING : PBT (94 V-0)
- ④ INSULATOR : PE-606
- ⑤ MOUNTING POST : BRONZE, TIN PLATING
- ⑥ SOLDER TAIL : COPPER WIRE, TIN PLATING
- ⑦ WASHER : STEEL, NICKEL PLATING
- ⑧ NUT : BRASS, NICKEL PLATING



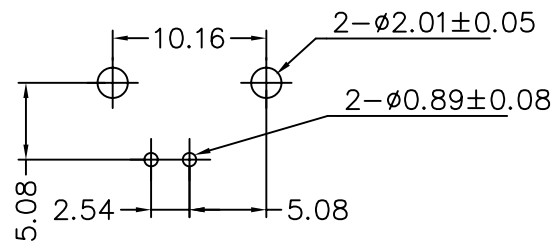
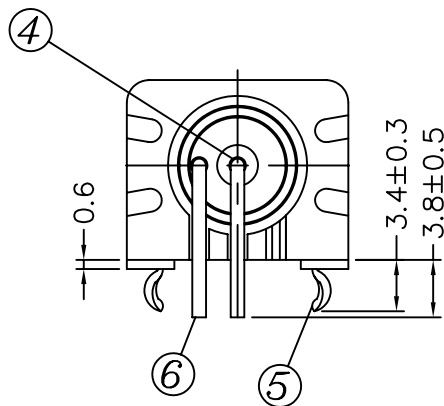
**YEAR ROUND Technology Corp.**

TEL: 886 2 22901234 www.yr.com.tw

Title	50 OHM BNC R/A PCB MOUNT JACK				
P/N	5BR-02711	Checked By	Drawn By	Approved By	
D/N	5BR-02711,R	柯 93,06,08 宏融	趙 93,06,08 龍鴻	白 93,06,08 添發	
SCALE	2:1				
UNIT		MM			

Note:  
Tolerances:  
X. ±0.5  
X.X ±0.3  
X.XX±0.2

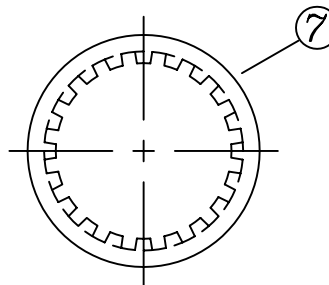
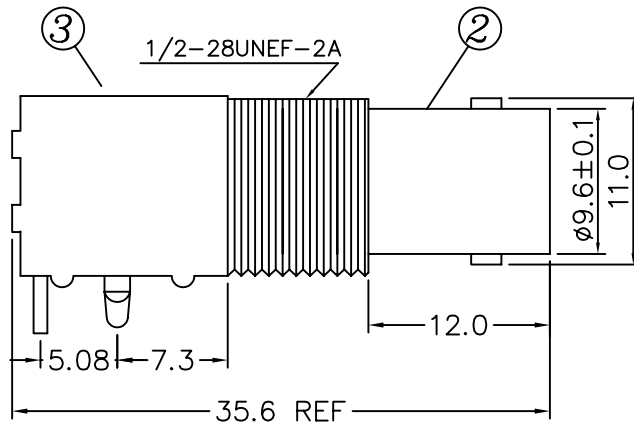
Revised dimensions and description



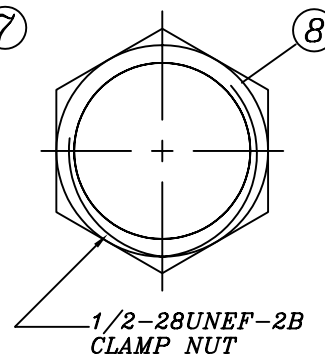
RECOMMENDED PC BOARD LAYOUT  
WITHOUT MOUNTING POSTS

**MATERIAL & FINISH**

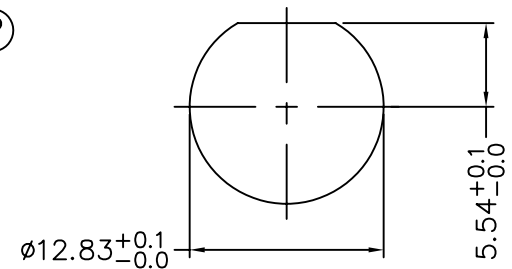
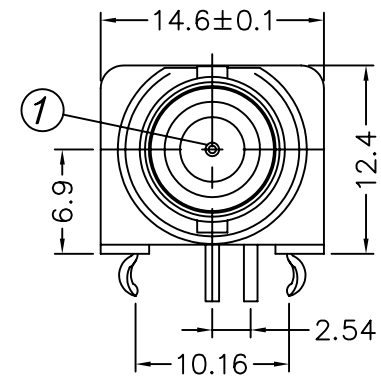
- ① CENTER CONTACT :BRONZE,GOLD PLATING 30u"
- ② BODY :ZINC ALLOY NICKEL PLATING
- ③ HOUSING :PBT (94 V-0)
- ④ INSULATOR :PE-606
- ⑤ MOUNTING POST :BRONZE, TIN PLATING
- ⑥ SOLDER TAIL :COPPER WIRE, TIN PLATING
- ⑦ WASHER :STEEL, NICKEL PLATING
- ⑧ NUT :BRASS, NICKEL PLATING



LOCK WASHER



1/2-28UNEF-2B  
CLAMP NUT



RECOMMENDED MOUNTING HOLE  
MAXIMUM PANEL THICKNESS:5.5MM

Revised dimensions and description

Note:  
Tolerances:  
X. ±0.5  
X.X ±0.3  
X.XX±0.2

<b>YEAR ROUND Technology Corp.</b> TEL: 886 2 22901234    www.yr.com.tw		Title			75 OHM BNC R/A PCB MOUNT JACK		
		P/N	7BR-02711	Checked By	Drawn By	Approved By	
D/N	5BR-02711,R						
SCALE	2:1					REV	2
		UNIT	MM				