

MATERIAL & FINISH

- BODY : ZINC ALLOY, NICKEL PLATING
 : BRASS, GOLD PLATING
 INSULATOR : BOM
 WASHER : BRASS, NICKEL PLATING
 FERRULE : BRASS, NICKEL PLATING
 SPRING : SK-5
 GASKET : SI RUBBER

SPECIFICATION

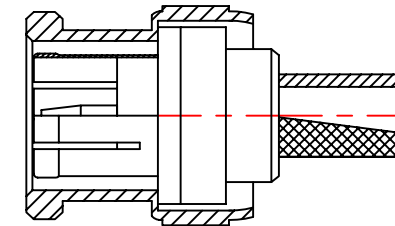
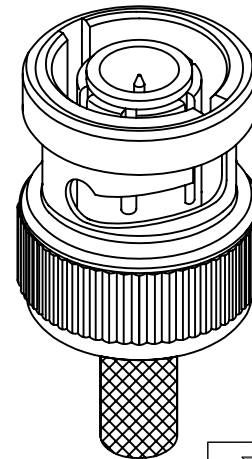
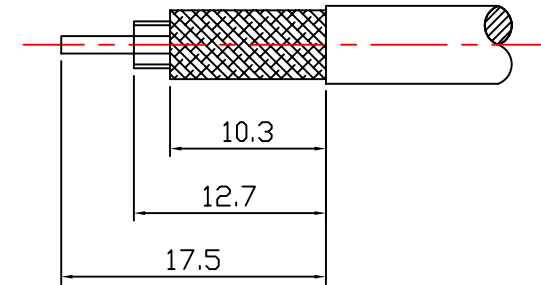
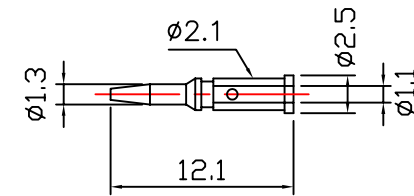
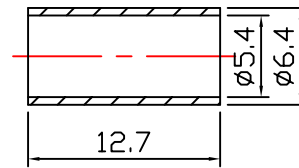
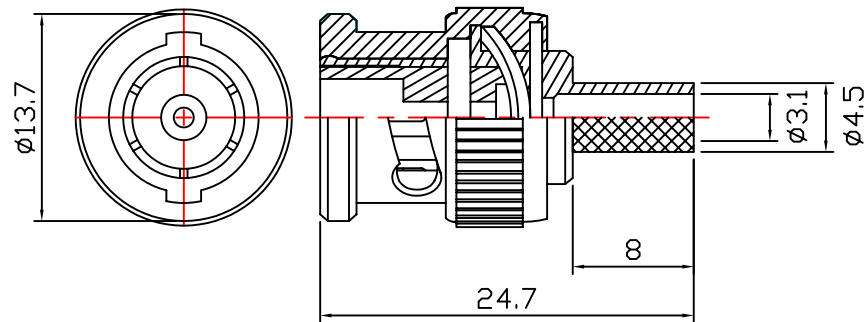
- IMPEDANCE : 50Ω
 VOLTAGE RATING : 500V RMS
 FREQUENCY RANGE : 0~4 GHz
 INTERFACE PER MIL-C-39012C
 FOR RG-58 CABLE

Note:
 Tolerances:
 X. ±0.5
 X.X ±0.3
 X.XX±0.2

YR YEAR ROUND Technology Corp.
 TEL: 886 2 22901234 www.yr.com.tw

Title	BNC MALE CRIMP PLUG (RG-58/58A)			
P/N	5BP-01	Checked By	Drawn By	Approved By
D/N	5BP-01,R	柯 92,09,30 宏融	趙 92,09,30 龍鴻	白 92,09,30 添發
SCALE	2:1			
UNIT		MM		

Revised dimensions and description



MATERIAL & FINISH

BODY : ZINC ALLOY, NICKEL PLATING
 : BRASS, GOLD PLATING
 INSULATOR : BOM
 WASHER : BRASS, NICKEL PLATING
 FERRULE : BRASS, NICKEL PLATING
 SPRING : SK-5
 GASKET : SI RUBBER

SPECIFICATION

IMPEDANCE : 75Ω
 VOLTAGE RATING : 500V RMS
 FREQUENCY RANGE : 0~4 GHz
 INTERFACE PER MIL-C-39012C
 FOR RG-58 CABLE



YEAR ROUND Technology Corp.

TEL: 886 2 22901234 www.yr.com.tw

Title	BNC MALE CRIMP PLUG (RG-58/58A)			
P/N	7BP-01	Checked By	Drawn By	Approved By
D/N	7BP-01,R	柯 92,09,30 宏融	趙 92,09,30 龍鴻	白 92,09,30 添發
SCALE	2:1			
UNIT		MM		

Note:
 Tolerances:
 X. ±0.5
 X.X ±0.3
 X.XX ±0.2

Revised dimensions and description