

MATERIAL & FINISH



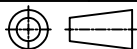
- ① MALE CONTACT: BRASS / GOLD PLATED
- ② FEMALE CONTACT: P.BRONZE / GOLD PLATED
- ③ INSULATOR : PE-606
- ④ BODY: ZINC ALLOY /NICKEL PLATED

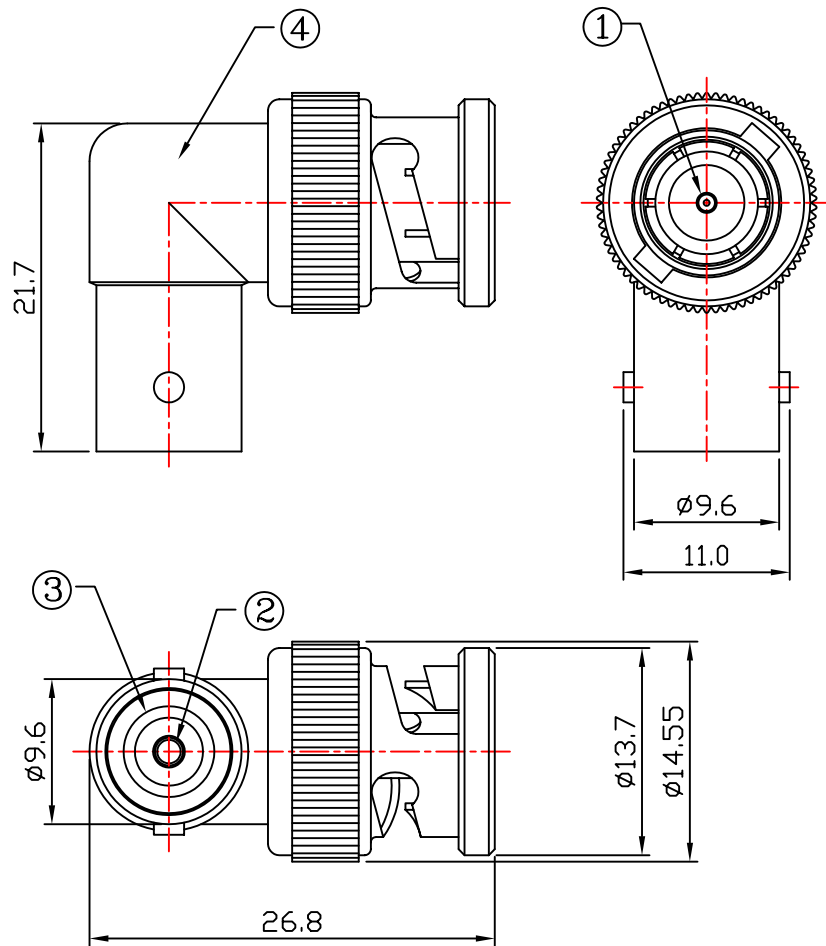
SPECIFICATION

IMPEDANCE : 50 OHMS.
 VOLTAGE RATING : 500 V RMS.
 FREQUENCY RANGE : 0~4 GHz

Revised dimensions and description

Note:
 Tolerances:
 X. ±0.5
 X.X ±0.3
 X.XX±0.2

 YEAR ROUND Technology Corp. TEL: 886 2 22901234 www.yr.com.tw					
Title	50 Ohm BNC "L" TYPE ADAPTER				
P/N	5BL-03	Checked By	Drawn By	Approved By	
D/N	5BL-03,R	 93,01,13 宏融	 93,01,13 龍鴻	 93,01,13 添發	
SCALE	2:1				
		UNIT	MM		



MATERIAL & FINISH

- ① MALE CONTACT: BRASS / GOLD PLATED
- ② FEMALE CONTACT: P.BRONZE / GOLD PLATED
- ③ INSULATOR : PE-606
- ④ BODY: ZINC ALLOY /NICKEL PLATED

SPECIFICATION

IMPEDANCE : 75 OHMS.

VOLTAGE RATING : 500 V RMS.

FREQUENCY RANGE : 0~4 GHz



YEAR ROUND Technology Corp.

TEL: 886 2 22901234 www.yr.com.tw

Title	75 Ohm BNC "L" TYPE ADAPTER			
P/N	7BL-03	Checked By	Drawn By	Approved By
D/N	7BL-03,R	柯 93,01,13 宏融	趙 93,01,13 龍鴻	白 93,01,13 添發
SCALE	2:1			
		UNIT	MM	

Note:
Tolerances:
X. ±0.5
X.X ±0.3
X.XX±0.2

Revised dimensions and description