

RECOMMENDED MOUNTING HOLE

MATERIAL & FINISH

- ① BODY: ZINC ALLOY, NICKEL PLATING
- ② INSULATOR: DELRIN
- ③ CENTER CONTACT: BRASS, GOLD PLATING
- ④ WASHER: STEEL, NICKEL PLATING
- ⑤ NUT: IRON, NICKEL PLATING
- ⑥ SOLDER TAG: IRON, NICKEL PLATING

④ LOCK WASHER

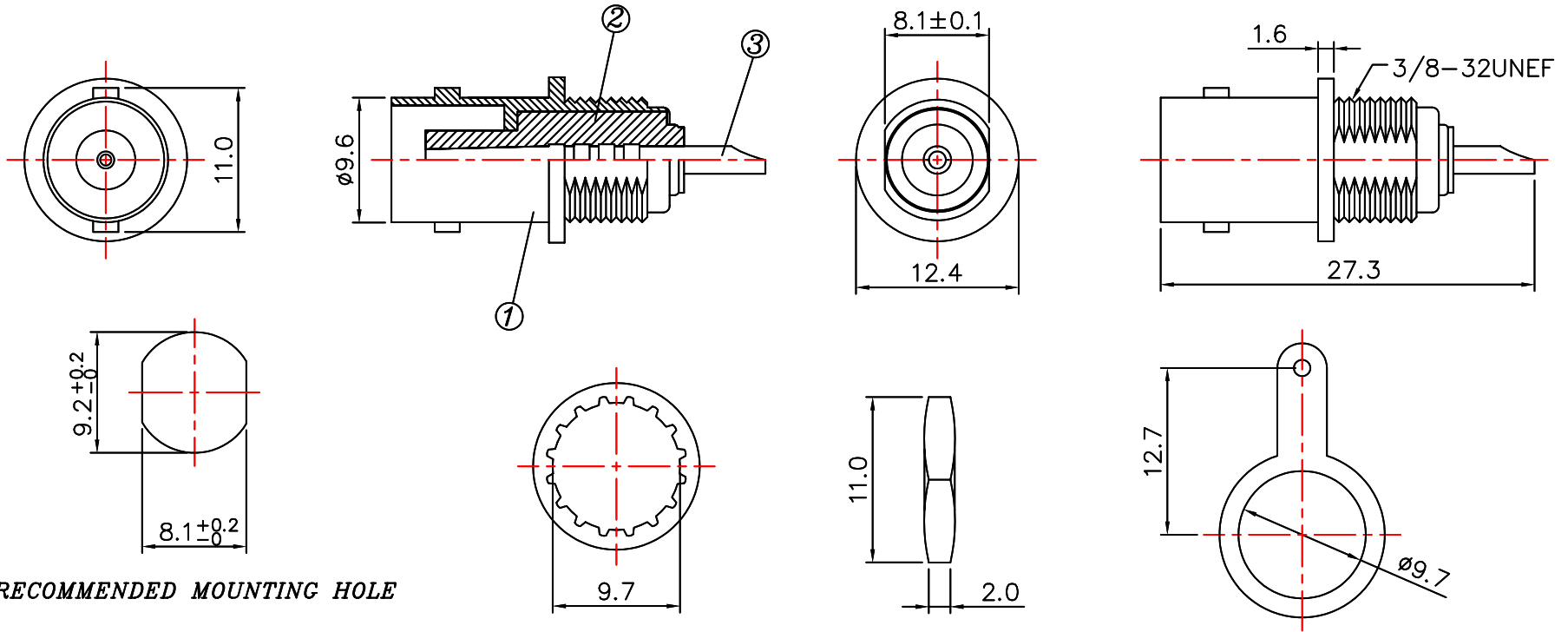
⑤ HEX. NUT

⑥ SOLDER TAG

Revised dimensions and description

Note:
Tolerances:
X. ±0.5
X.X ±0.3
X.XX±0.2

		YEAR ROUND Technology Corp. TEL: 886 2 22901234 www.yr.com.tw		
		Title: 50 OHM BNC BULKHEAD SOLDER JACK		
P/N	5BH-2A73	Checked By	Drawn By	Approved By
D/N	5BH-2A73,R			
SCALE	2:1 REV 2			
		UNIT	MM	



RECOMMENDED MOUNTING HOLE

④ LOCK WASHER

⑤ HEX. NUT

⑥ SOLDER TAG

MATERIAL & FINISH

- ① BODY: ZINC ALLOY, NICKEL PLATING
- ② INSULATOR: DELRIN
- ③ CENTER CONTACT: BRASS, GOLD PLATING
- ④ WASHER: STEEL, NICKEL PLATING
- ⑤ NUT: IRON, NICKEL PLATING
- ⑥ SOLDER TAG: IRON, NICKEL PLATING



YEAR ROUND Technology Corp.

TEL: 886 2 22901234 www.yr.com.tw

Title	75 OHM BNC BULKHEAD SOLDER JACK			
P/N	7BH-2A73	Checked By	Drawn By	Approved By
D/N	7BH-2A73,R	柯 92,11,01 宏融	趙 92,11,01 龍鴻	白 92,11,01 添發
SCALE	2:1	REV	2	
		UNIT	MM	

Note:
Tolerances:
X. ±0.5
X.X ±0.3
X.XX±0.2

Revised dimensions and description