

SOLDER TAG

RECOMMENDED MOUNTING HOLE

MATERIAL & FINISH

- ① **BODY & ④ NUT** :DIECAST (ZINC#3)
NICKEL PLATING PER QQ-N-290 OVER
COPPER UNDERCOAT PER MIL-C-14550
- ② **INSULATOR** :DELTRIN
- ③ **CENTER CONTACT**:BRASS,GOLD PLATING
PER MIL-G-45204 TYPE II,CLASS I
- ⑤ **SOLDER TAG** :BRASS,NICKEL PLATING PER QQ-N-290

Note:
Tolerances:
X. ±0.5
X.X ±0.3
X.XX±0.2

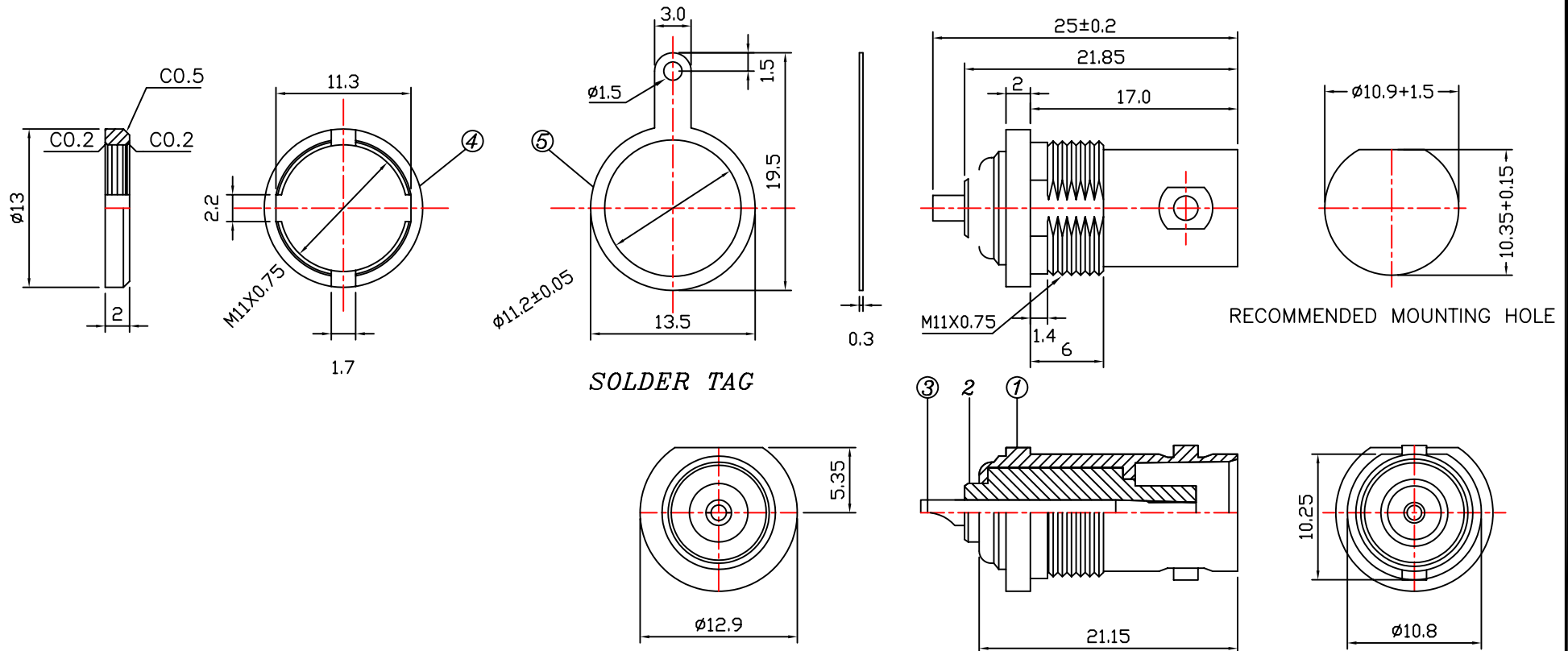
Revised dimensions and description



YEAR ROUND Technology Corp.

TEL: 886 2 22901234 www.yr.com.tw

Title	50 Ω BNC RECEPTACLE				
P/N	5BH-01		Checked By	Drawn By	Approved By
D/N	5BH-01,R		柯 93,01,14 宏融	趙 93,01,14 龍鴻	白 93,01,14 添發
SCALE	2:1	REV			
		UNIT	MM		



MATERIAL & FINISH

- ① BODY & ④ NUT : DIECAST (ZINC#3)
 NICKEL PLATING PER QQ-N-290 OVER
 COPPER UNDERCOAT PER MIL-C-14550
- ② INSULATOR : DELRIN
- ③ CENTER CONTACT: BRASS, GOLD PLATING
 PER MIL-G-45204 TYPE II, CLASS I
- ⑤ SOLDER TAG : BRASS, NICKEL PLATING PER QQ-N-290

YEAR ROUND Technology Corp.		TEL: 886 2 22901234 www.yr.com.tw		
Title	75 Ω BNC RECEPTACLE			
P/N	7BH-01	Checked By	Drawn By	Approved By
D/N	7BH-01,R	柯 93,01,14 宏融	趙 93,01,14 龍鴻	白 93,01,14 添發
SCALE	2:1	REV	2	
	UNIT	MM		

Note:
Tolerances:
X. ±0.5
X.X ±0.3
X.XX±0.2

Revised dimensions and description