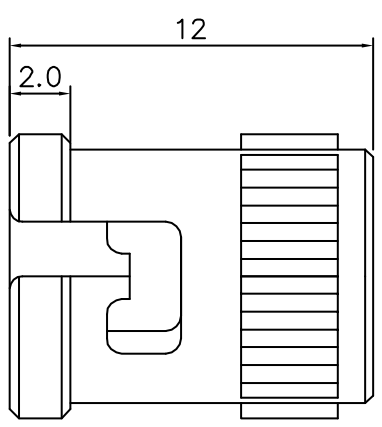
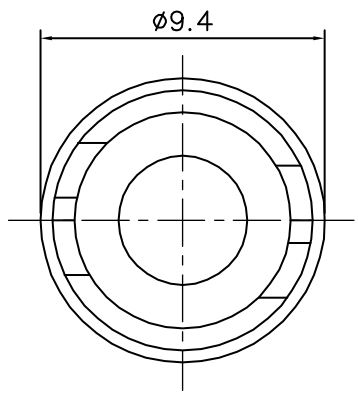
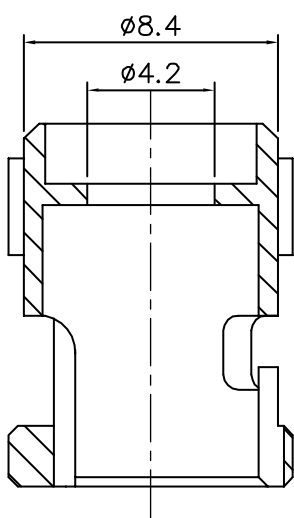
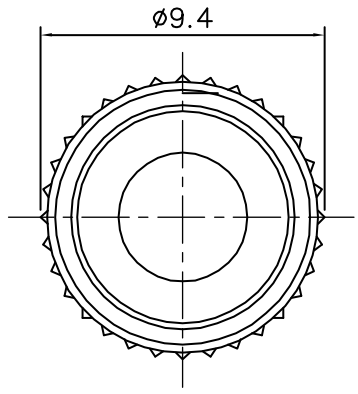


MATERIAL & FINISHED

BODY : ZINC ALLOY, NICKEL PLATED



益睿科技股份有限公司  
 YEAR ROUND TECHNOLOGY CORPORATION  
 TEL: 886 2 22901234 E-MAIL: yearound@yr.com.tw

FIBER OPTIC ST STYLE DIECASTING  
 F-4661本體

|                  |                 |                      |   |
|------------------|-----------------|----------------------|---|
| 品名<br>Title      | F-4661          |                      |   |
| 件號<br>P/N        | F-4661          |                      |   |
| 圖號<br>D/N        | F-4661,R        |                      |   |
| 比例<br>SCALE      | 4:1             | 版本<br>REV            | 2 |
| 單位<br>UNIT       | MM              |                      |   |
| 設計<br>Checked By | 繪圖<br>Drawed By | 校對/審核<br>Approved By |   |
| 柯<br>宏融          | 趙<br>龍鴻         | 白<br>添發              |   |

Note:  
 Tolerances:  
 X, ±0.5  
 X.X ±0.3  
 X.XX±0.2

尺寸修正及說明  
 Revised dimensions and description

編號  
 NO.